

Article

## Supplementary Materials

# Enhanced Ni-Al-Based Catalysts and Influence of Aromatic Hydrocarbon for Autothermal Reforming of Diesel Surrogate Fuel

Dong Geon Ju <sup>1,2,†</sup>, Seong Bin Jo <sup>3,†</sup>, Dong Su Ha <sup>4</sup>, Tae Young Kim <sup>1</sup>, Suk Yong Jung <sup>5</sup>, Ho Jin Chae <sup>3</sup>, Soo Chool Lee <sup>3,\*</sup> and Jae Chang Kim <sup>1,\*</sup>

<sup>1</sup> Department of Chemical Engineering, Kyungpook National University, Daegu 41566, Korea; judong1226@nate.com (D.G.J.); tyoung0218@knu.ac.kr (T.Y.K.)

<sup>2</sup> Korea Evaluation Institute of Industrial Technology (KEIT), Daegu 41069, Korea

<sup>3</sup> Research Institute of Advanced Energy Technology, Kyungpook National University, Daegu 41566, Korea; santebin@knu.ac.kr (S.B.J.); hwman777@nate.com (H.J.C.)

<sup>4</sup> Korea Institute of Energy Research, Daejeon 34129, Korea; suyaa130@naver.com

<sup>5</sup> Wonik Materials Co., Cheongju 28125, Korea; ojhyt@hanmail.net

\* Correspondence: soochool@knu.ac.kr (S.C.L.); kjchang@knu.ac.kr (J.C.K.); Tel.: +82-53-950-5622 (S.C.L. & J.C.K.)

† Dong Geon Ju and Seong Bin Jo contributed equally to this work.

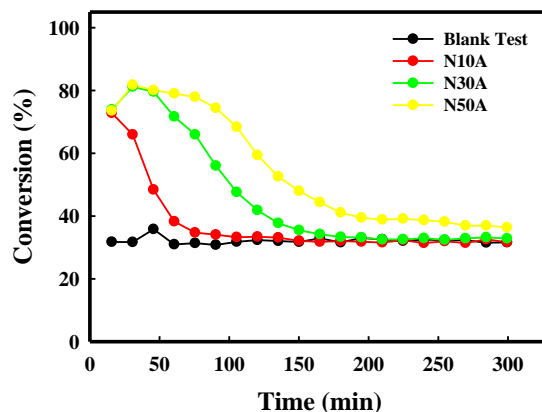
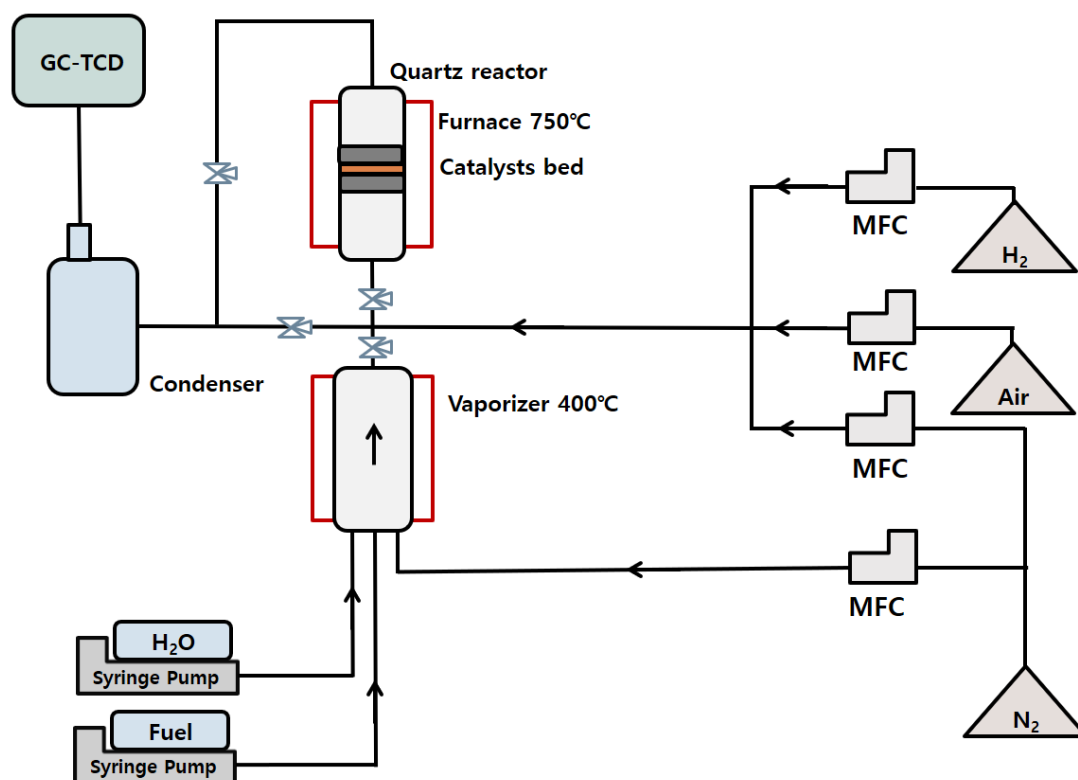


Figure S1. : Conversions of the blank test, N10A, N30A, and N50A at DHM fuel.



**Figure S2.** : The schematic diagram of experimental apparatus.