

Supplementary Material

# Response Optimization of a Chemical Gas Sensor Array using Temperature Modulation

Cristhian Durán \*, Juan Benjumea and Jeniffer Carrillo

Multisensor System and Pattern Recognition Research Group (GISM), Electronic Engineering Program, Universidad de Pamplona, Km 1 Vía Bucaramanga-Pamplona, Colombia; cmduran@unipamplona.edu.co (C.D.); jackr2k@gmail.com (J.B.); jenifferk\_1206@hotmail.com (J.C.)

\* Correspondence: cmduran@unipamplona.edu.co; Tel.: +057-3112135846

Received: 13 March 2018; Accepted: 17 April 2018; Published: date

## Modulation Electronic Circuit:

Figure S1 shows the amplification circuit using a LM741 (U2) integrated, compound with a non-inverse stage which increase the voltages levels. A Darlington Bridget TIP 122 (Q1) was used to supply current in order to feed the heater resistor of each gas sensor.

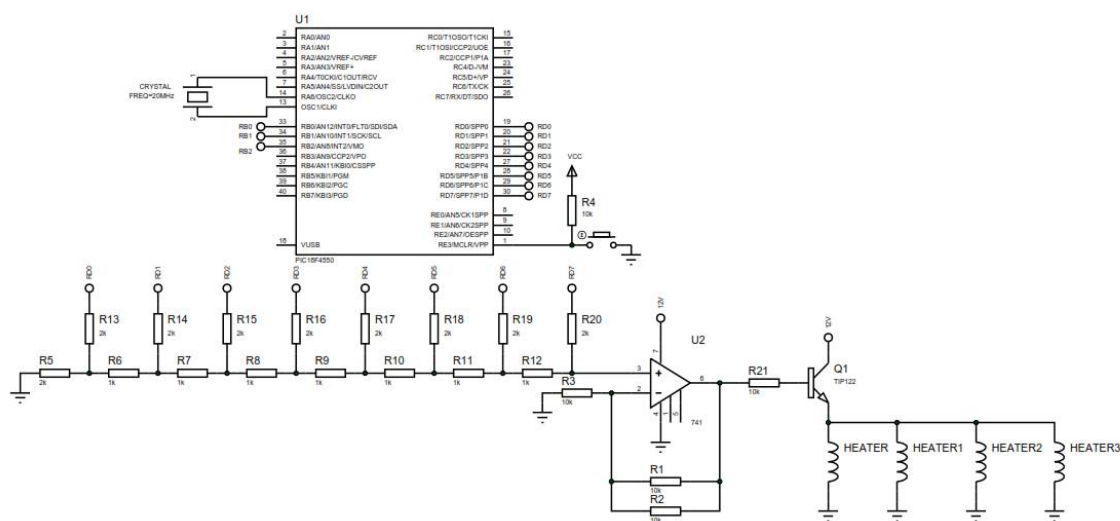


Figure S1. Modulation circuit.