

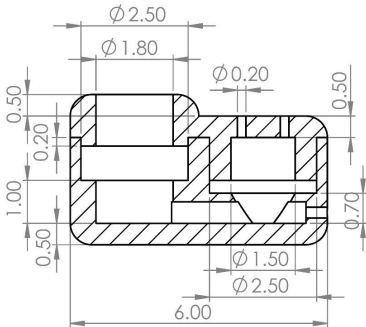
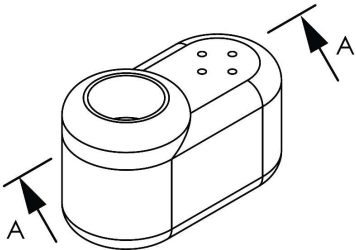
Supplementary Material

A 3D-Printed Modular Microreservoir for Drug Delivery

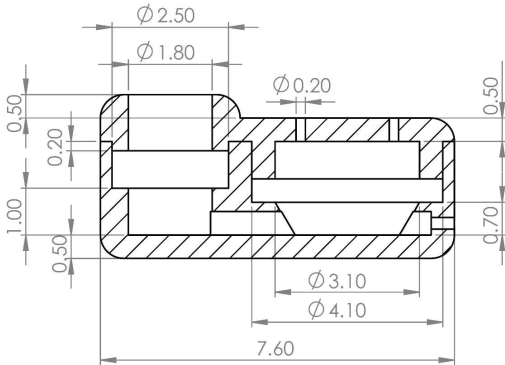
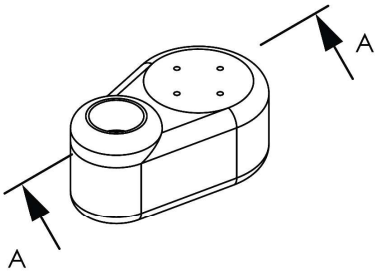
Farzad Forouzandeh, Nuzhet N. Ahamed, Meng-Chun Hsu, Joseph P. Walton, Robert D. Frisina and David A. Borkholder

Detailed design and dimension of microreservoir components

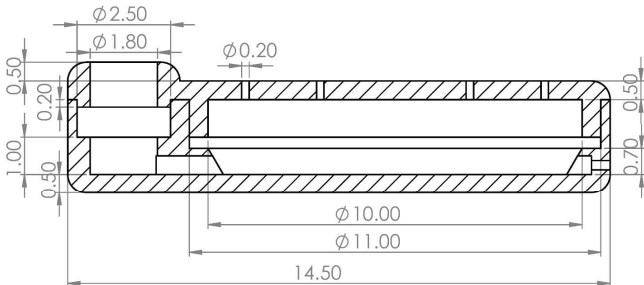
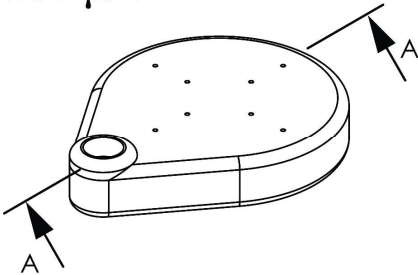
1 μL



10 μL



100 μL



SECTION A-A (For all three models)

Figure S1. Iso view of three different stand-alone microreservoirs along with cut view at section A-A. Dimensions all in mm. Dimensions not to be scaled.