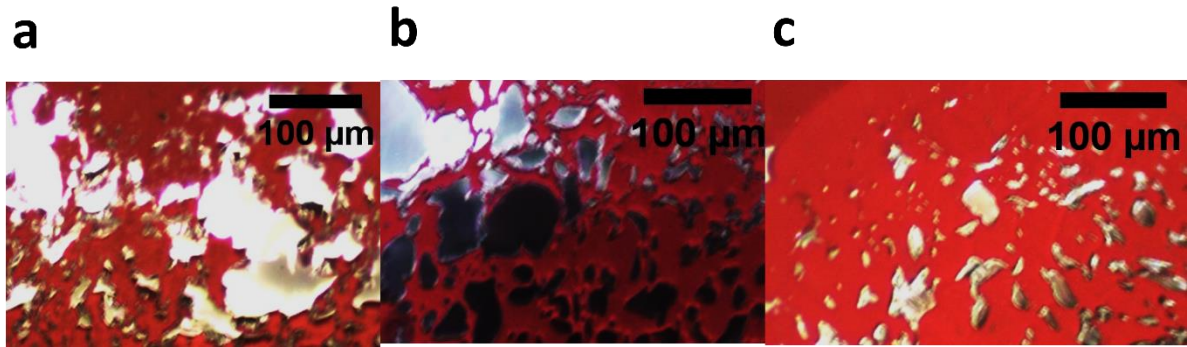
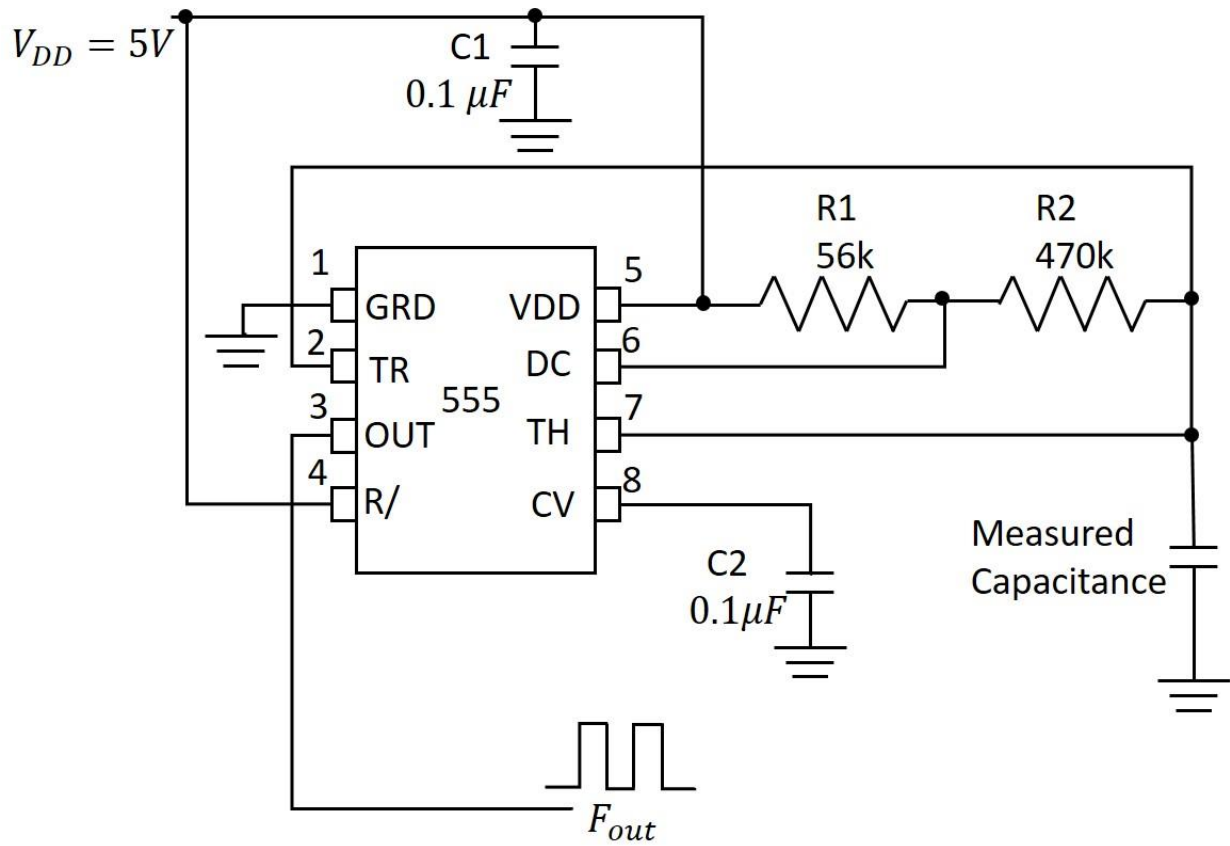


Supplementary Material



**Figure S1.** Optical image of the cross sections of the porous fibers drawn by TDP at the same middle zone temperature of 342 °C and different bottom zone temperatures of a) 195 °C, b) 180 °C, c) 150 °C



**Figure S2.** The schematic of the circuit.